

Fixture Mount Control Unit for DALI Drivers



SPECIFICATION

The Fixture Mount Control Unit for DALI drivers interfaces with an Enlighted sensor and a DALI ballast or LED driver to intelligently control light behavior. The Control Unit also contains a power metering subsystem that enables the Enlighted control network to measure power in real time as well as energy consumption over time.



OVERVIEW

The Fixture Mount Control Unit for DALI drivers is typically wired to the fixture's LED driver or dimming ballast to control light levels with high reliability and security. The DALI Fixture Mount Control Unit (CU-4D-FM) is approved for mounting inside and external to a luminaire. It also connects to an Enlighted Sensor Unit (SU) via the Enlighted Sensor Interface. The SU integrates occupancy, daylight, temperature sensing, and implements customizable software profiles that support both energy efficiency and occupant comfort goals. The SU continuously takes occupancy, vacancy and light readings; it also interprets this data and instructs the Fixture Mount Control Unit for DALI drivers to adjust illumination levels accordingly.

Fixture Mount Control Unit for DALI Drivers

L	5.31"	135 mm
W	2.16"	55 mm
H	1.06"	27 mm
Weight	4 oz	113 grams

FEATURES AND BENEFITS

Real-Time Measurement and Verification of Energy Savings: Measures baseline wattage and energy consumption per fixture.

Simple and Low-Cost Installation: Securely fits within a light fixture cavity for quick installation at the factory or in the field, enabling streamlined project installation.

Flexible Configuration: Allows control of multiple low-wattage fixtures with a single unit. The maximum output current is 4.5A, subject to inrush current peak maximum.

Integrated DALI Power Supply: Enables simple luminaire wiring and reduces space requirements.

Compatible DALI Interface: Compatible with DALI-certified drivers and ballasts, the Fixture Mount Control Unit for DALI supports up to four DALI drivers with single channel dimming control. The product is subject to continuous current and inrush currents.

Fixture Outage Reports: Captures performance data via an embedded power metering chip. The Enlighted control network generates fixture outage reports to reduce maintenance costs and increase occupant safety and comfort.

SPECIFICATION SUBMITTAL

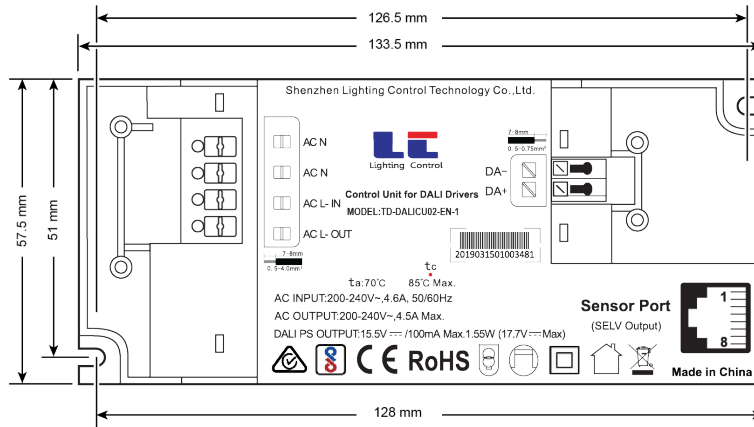
Job Name:	<input type="text"/>
Job Number:	<input type="text"/>
Product Code:	<input type="checkbox"/> CU-4D-FM
	<input type="checkbox"/> CBL-5E-CU4-30N
	<input type="checkbox"/> CBL-5E-CU4-7F
	<input type="checkbox"/>
	<input type="checkbox"/>
	<input type="checkbox"/>

Fixture Mount Control Unit for DALI Drivers

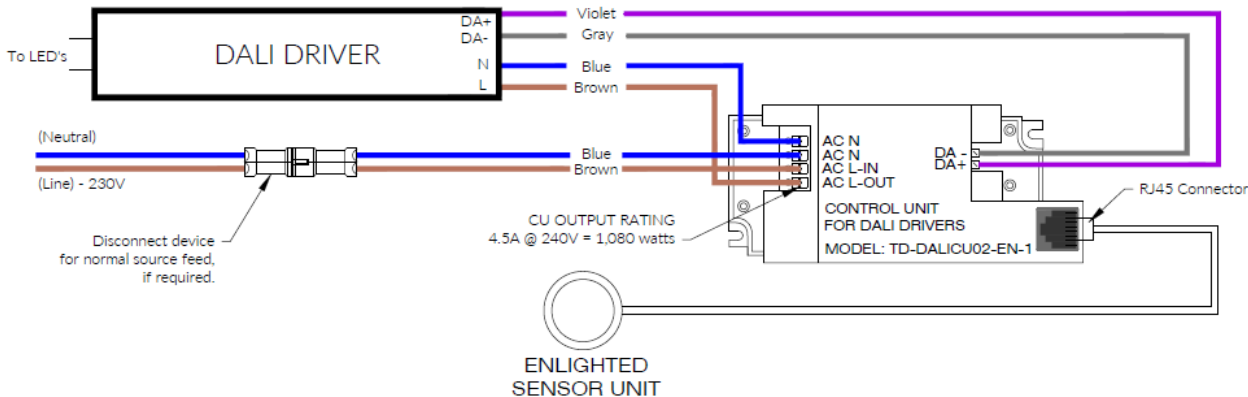


MOUNTING

The Fixture Mount Control Unit (CU-4D-FM) for DALI LED drivers is designed to be mounted inside NEMA rated fixture enclosure or as an external control device mounted outside a fixture enclosure using sheet metal screws.



WIRING



TECHNICAL SPECIFICATIONS

Operating Temperature: -20°C to 70°C ambient
 Enclosure: Polycarbonate
 Input Voltage: 220 - 240 VAC
 Input Frequency: 50/60 Hz

Line Power In/Out Connector/Wire Spec:
 Push-in style, 12-20 AWG solid/stranded
 Dimmer Control Output:
 Push-in style, 16-24 AWG solid/stranded

Power Output Specifications:
 4.5A maximum continuous:
 4.5A @ 240V = 1080 Watts
 Load Inrush current not to exceed:
 190A peak @ 240V

ORDERING INFORMATION

CU-4D-FM Fixture Mount Control Unit for DALI Drivers
 CBL-5E-CU4-30N 30 inch Sensor Cable for CU-4 and IoT Ready™ drivers
 CBL-5E-CU4-7F 7 foot Sensor Cable for CU-4 and IoT Ready™ drivers

Consult your Enlighted Sales Representative for a complete list of compatible cables.

ENVIRONMENT

For dry conditions only

COMPLIANCE

Europe



Warranty: 5 years
 Refer www.enlightedinc.com/limited-warranty-terms for complete terms and conditions.