

LINE DIAGRAM - EU EMERGENCY (2-WIRE) SU5 with SENSOR READY DRIVER & LED ARRAY

SENSOR	CABLE TYPE
KIT-SU-5E-D	User supplied 18AWG - 2 Cond.
SU-5S-2W-H	User supplied 18AWG - 2 Cond.
SU-5S-2W-LRW	Sensor includes 22" of cable*
SU-5S-2W-HRW	Sensor includes 22" of cable*

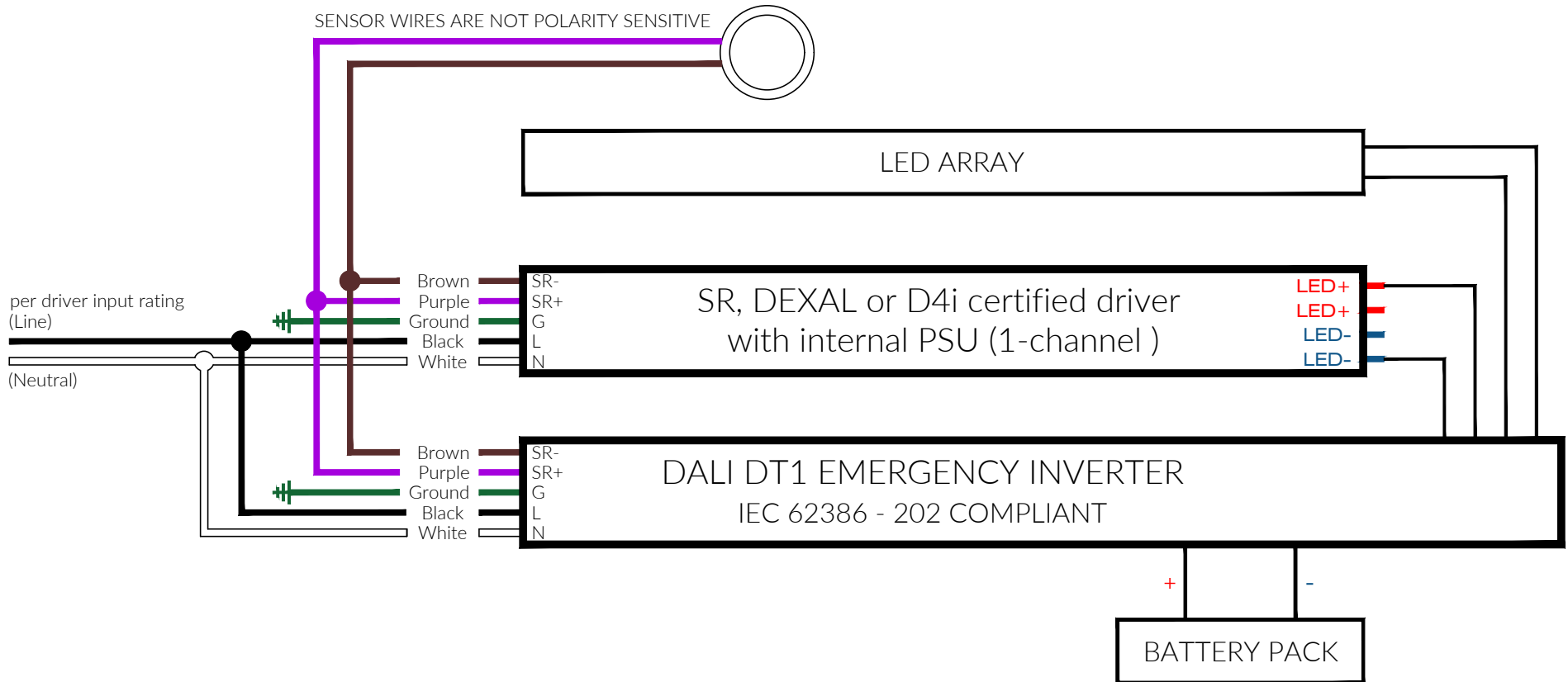
*NOTE: If more than 22" is needed , add user supplied 18AWG - 2 Cond. with suitable splicing device

NOTES:

1. Enlighted sensor wiring are Class 2 (SELV) circuits
2. This drawing is specific to 2-wire drivers with an internal power supply unit (PSU).
3. PSU must be enabled.
4. Follow driver manufacturer instructions when installing this solution
5. Only one sensor may be connected to the 2-wire bus.
6. Only one emergency inverter can be connected per sensor.
7. Up to 8 DALI drivers can be connected to a single sensor.
8. Wire emergency inverter per manufacture's instructions.

ENLIGHTED
SENSOR UNIT

SENSOR WIRES ARE NOT POLARITY SENSITIVE



NOTE: Install in accordance with National and Local Electrical Codes in compliance with AHJ requirements.

THIS DIAGRAM IS NOT INTENDED FOR USE IN NORTH AMERICA

enlighted
A Siemens Company

3979 Freedom Circle, Suite 210
Santa Clara, CA 95054
www.enlightedinc.com
650-964-1094

REV # 93-03380-01