

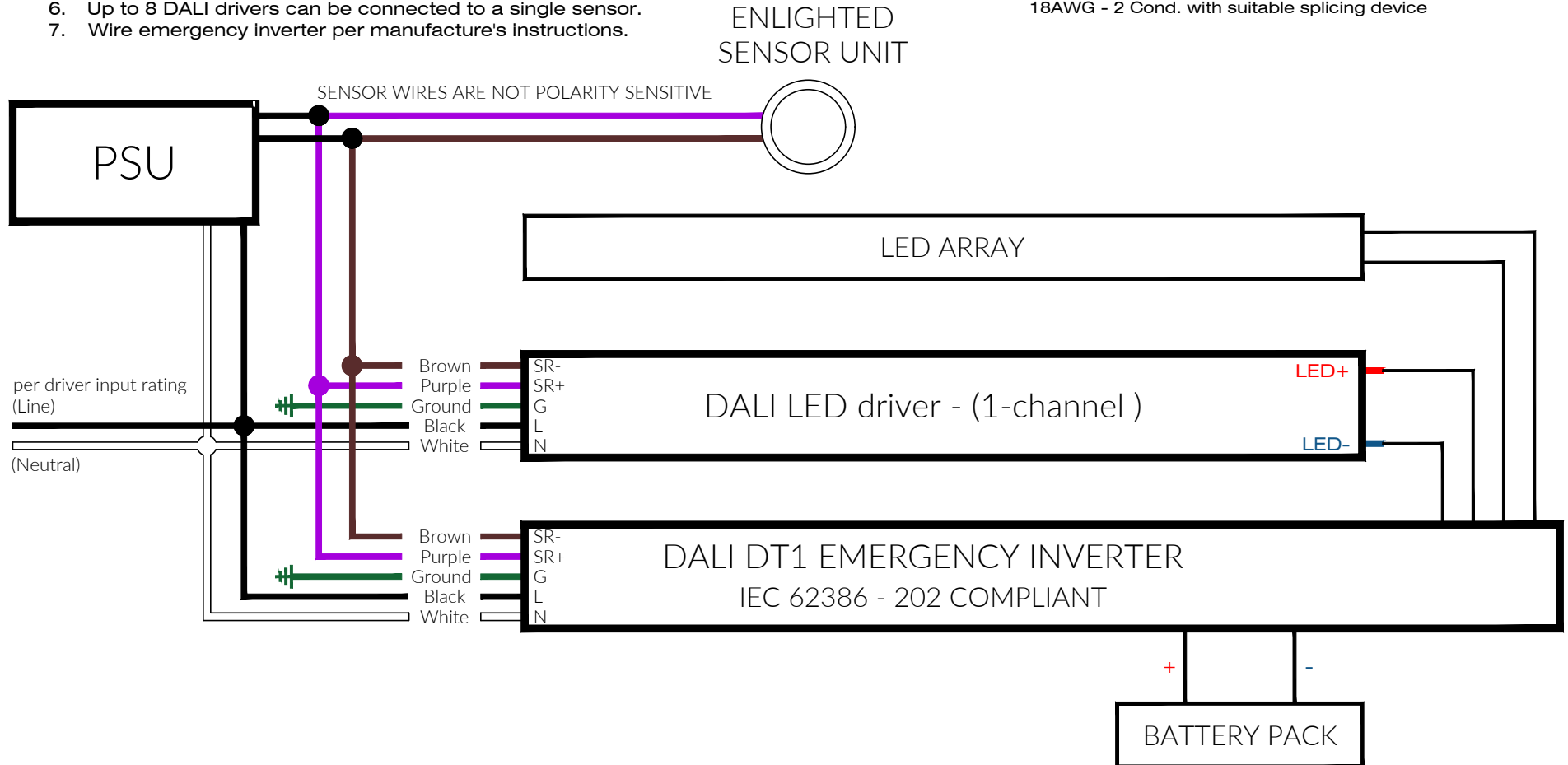
# LINE DIAGRAM - EU EMERGENCY (2-WIRE) SU5 with DALI DRIVER(s) & EXTERNAL PSU

## NOTES:

1. This drawing is specific to DALI drivers used with the Enlighted system.
2. Enlighted sensor wires are Class 2 (SELV) circuits
3. Follow driver manufacturer instructions when installing this solution
4. Only one sensor may be connected to the 2-wire bus.
5. Only one emergency inverter can be connected per sensor
6. Up to 8 DALI drivers can be connected to a single sensor.
7. Wire emergency inverter per manufacture's instructions.

SENSOR	CABLE TYPE
KIT-SU-5E-D	User supplied 18AWG - 2 Cond.
SU-5S-2W-H	User supplied 18AWG - 2 Cond.
SU-5S-2W-LRW	Sensor includes 22" of cable*
SU-5S-2W-HRW	Sensor includes 22" of cable*

\*NOTE: If more than 22" is needed , add user supplied 18AWG - 2 Cond. with suitable splicing device



**NOTE: Install in accordance with National and Local Electrical Codes in compliance with AHJ requirements.**

**THIS DIAGRAM IS NOT INTENDED FOR USE IN NORTH AMERICA**

**enlighted**  
A Siemens Company

3979 Freedom Circle, Suite 210  
Santa Clara, CA 95054  
www.enlightedinc.com  
650-964-1094

REV # 93-03381-01