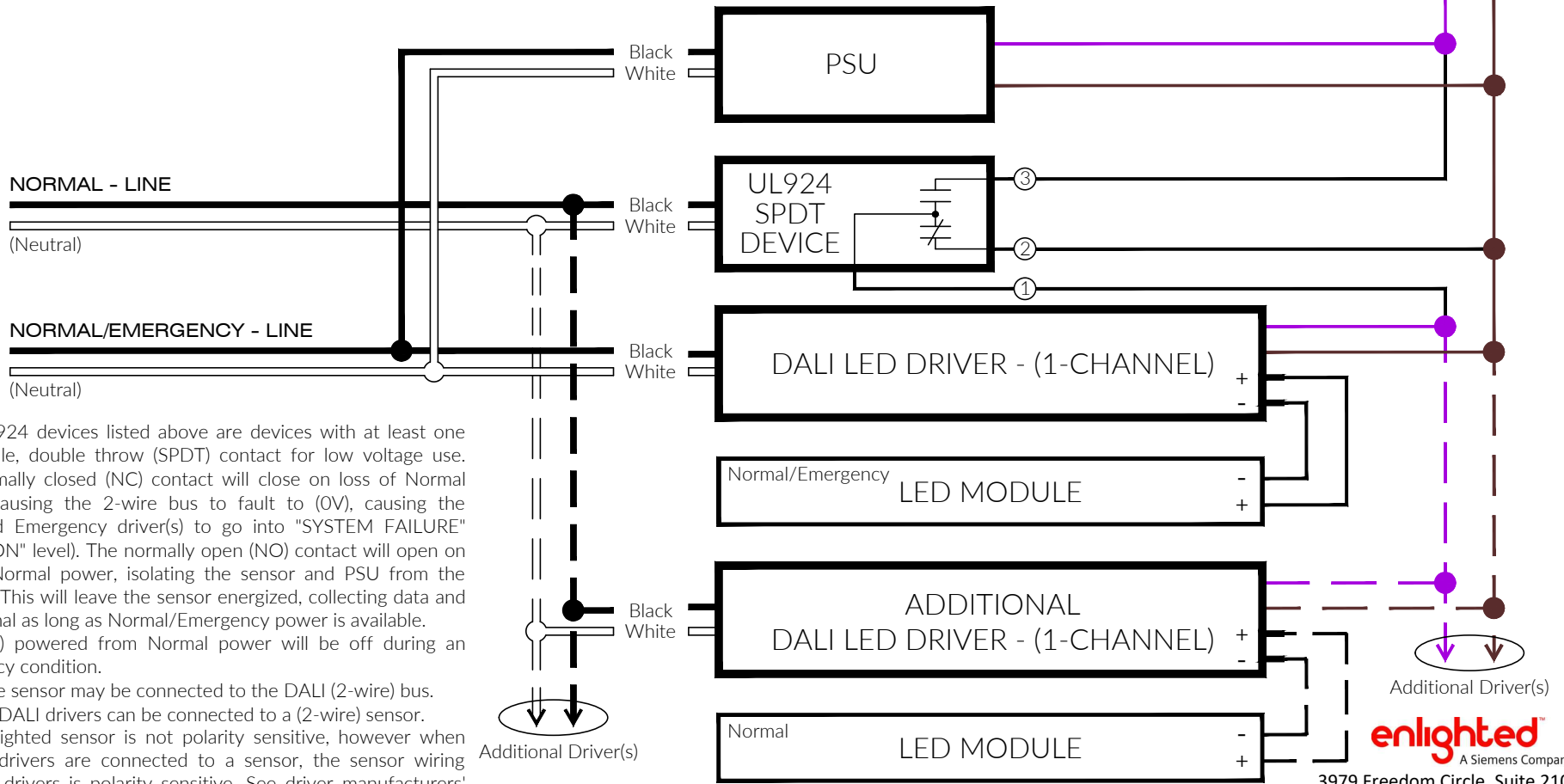
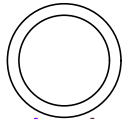


LINE DIAGRAM - GENERIC UL924 SPDT DEVICE - (2-WIRE) SU5 W-DALI DRIVERS & EXTERNAL POWER SUPPLY UNIT (PSU)

UL924 Device	Brand	①	②	③	SENSOR	CABLE TYPE
RRU-UNV	LVS	YELLOW	BLUE	BROWN	KIT-SU-5E-D	User supplied 18AWG - 2 Cond.
RRU-UNV-FM	LVS	YELLOW	BLUE	BROWN	SU-5S-2W-H	User supplied 18AWG - 2 Cond.
RRU-X-UNV	LVS	YELLOW	BLUE	BROWN	SU-5S-2W-LRW	Sensor includes 22" of cable*
RRU-X-UNV-FM	LVS	YELLOW	BLUE	BROWN	SU-5S-2W-HRW	Sensor includes 22" of cable*
ESR2401D	FUNCTIONAL DEVICES	YELLOW	BLUE	ORANGE	*NOTE: If more than 22" is needed , add user supplied 18AWG - 2 Cond. with suitable splicing device	
ESR2402D	FUNCTIONAL DEVICES	YELLOW	BLUE	ORANGE		
ESR01P	FUNCTIONAL DEVICES	YELLOW	BLUE	ORANGE		
ESR02P	FUNCTIONAL DEVICES	YELLOW	BLUE	ORANGE		
ESRLBCND	FUNCTIONAL DEVICES	VIOLET	WHT/BRN	WHT/VIOLET		

ENLIGHTED
SENSOR UNIT



NOTES:

1. The UL924 devices listed above are devices with at least one single pole, double throw (SPDT) contact for low voltage use. The normally closed (NC) contact will close on loss of Normal power, causing the 2-wire bus to fault to (OV), causing the energized Emergency driver(s) to go into "SYSTEM FAILURE" (Lights "ON" level). The normally open (NO) contact will open on loss of Normal power, isolating the sensor and PSU from the driver(s). This will leave the sensor energized, collecting data and operational as long as Normal/Emergency power is available.
2. Driver(s) powered from Normal power will be off during an Emergency condition.
3. Only one sensor may be connected to the DALI (2-wire) bus.
4. Up to 8 DALI drivers can be connected to a (2-wire) sensor.
5. The Enlighted sensor is not polarity sensitive, however when multiple drivers are connected to a sensor, the sensor wiring between drivers is polarity sensitive. See driver manufacturers' guidelines for identifying sensor wires and polarity (DA +/-).
6. Maximum total length of all conductors on the 2-wire bus should not exceed 500' of 18AWG wire. Using wire smaller than 18AWG is not recommended.
7. Cap off all used wires on the UL924 device.

NOTE:
Install in accordance with National and Local Electrical Codes in compliance with AHJ requirements.

enlighted
A Siemens Company
3979 Freedom Circle, Suite 210
Santa Clara, CA 95054
www.enlightedinc.com
650-964-1094

REV # 93-03133-05