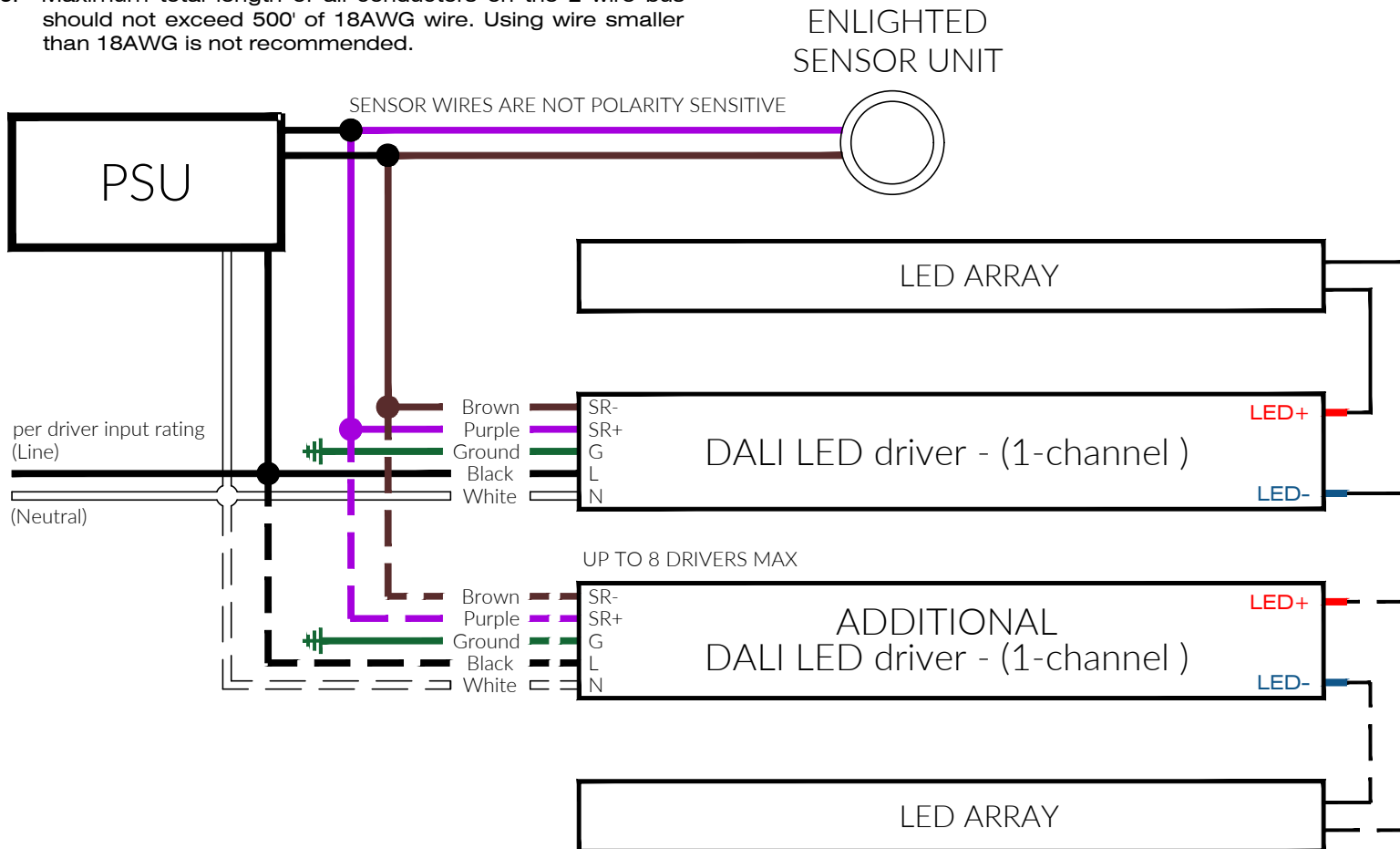


LINE DIAGRAM - (2-WIRE) SU5 & DALI DRIVER(s) w/EXTERNAL POWER SUPPLY UNIT - PSU

NOTES:

1. This drawing is specific to DALI drivers requiring an External PSU used with the Enlighted system.
2. Enlighted sensor wires are Class 2 circuits
3. Only one sensor may be connected to the DALI (2-wire) bus.
4. Up to 8 DALI drivers can be connected to a single sensor.
5. The Enlighted sensor is not polarity sensitive, however when multiple drivers are connected to a sensor, the sensor wiring between drivers is polarity sensitive. See driver manufacturers' guidelines for identifying sensor wires and polarity (DA +/-).
6. Maximum total length of all conductors on the 2-wire bus should not exceed 500' of 18AWG wire. Using wire smaller than 18AWG is not recommended.

SENSOR	CABLE TYPE
KIT-SU-5E-D	User supplied 18AWG - 2 Cond.
SU-5S-2W-H	User supplied 18AWG - 2 Cond.
SU-5S-2W-LRW	Sensor includes 22" of cable*
SU-5S-2W-HRW	Sensor includes 22" of cable*
*NOTE: If more than 22" is needed , add user supplied 18AWG - 2 Cond. with suitable splicing device	



NOTE: Install in accordance with National and Local Electrical Codes in compliance with AHJ requirements.

enlighted
A Siemens Company

3979 Freedom Circle, Suite 210
Santa Clara, CA 95054
www.enlightedinc.com
650-964-1094

REV # 93-03172-02