

LINE DIAGRAM - 347V - (2-WIRE) SU5 with SR BRIDGE & 0-10V DRIVER(S)

NOTES:

1. Drivers must be 347VAC or higher
2. Enlighted sensor wires are Class 2 circuits
3. Follow driver manufacturer guidelines for proper LED wiring

SIGNIFY SR BRIDGE PRODUCT CODES

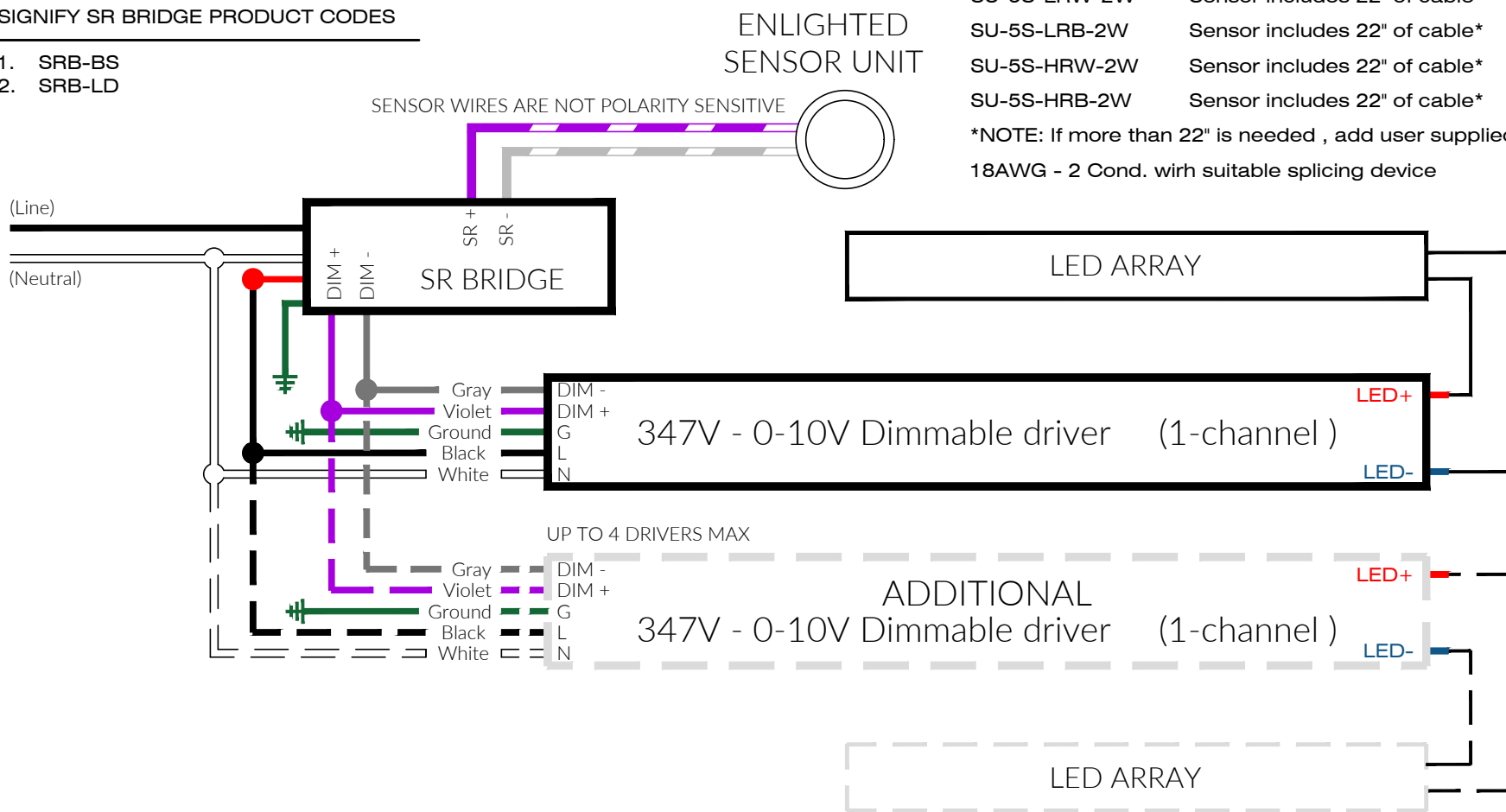
1. SRB-BS
2. SRB-LD

SENSOR

CABLE TYPE

KIT-SU-5E-2W	User supplied 18AWG - 2 Cond.
SU-SF-2W	User supplied 18AWG - 2 Cond.
SU-5S-H-2W	User supplied 18AWG - 2 Cond.
SU-5S-LRW-2W	Sensor includes 22" of cable*
SU-5S-LRB-2W	Sensor includes 22" of cable*
SU-5S-HRW-2W	Sensor includes 22" of cable*
SU-5S-HRB-2W	Sensor includes 22" of cable*

*NOTE: If more than 22" is needed, add user supplied 18AWG - 2 Cond. with suitable splicing device



NOTE: Install in accordance with National and Local Electrical Codes in compliance with AHJ requirements.

enlighted
A Siemens Company

930 Benecia Ave
Sunnyvale, CA 94085
www.enlightedinc.com
855-874-1692

REV # 93-03066-02