

# LINE DIAGRAM - SENSOR GRID w/POWER SUPPLY

ENLIGHTED POWER SUPPLY

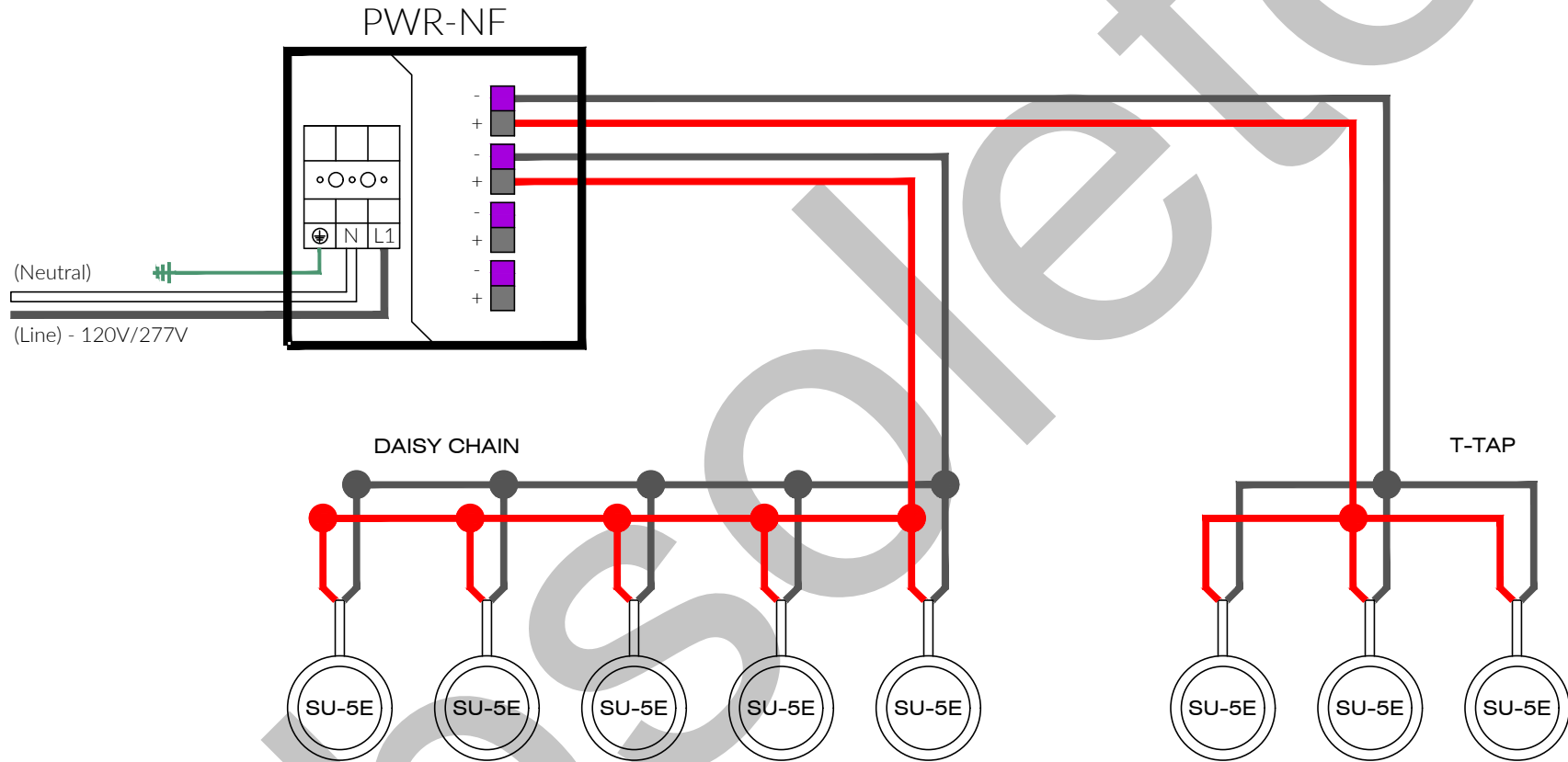
PWR-NF

SENSOR

SU-5E

CABLE TYPE

CBL-5E-2W-30N



- A maximum of 500' of cable may be connected to a single power supply, using 18AWG wire. Using wire smaller than 18AWG is not recommended
- Each SU-5E sensor will require one sensor cable (CBL-5E-2W-30N)
- A maximum of 20 sensors can be connected to a single PWR-NF
- Any configuration of wiring is supported. (parallel T-tap, daisy chain, etc.)
- Polarity is critical - Sensors will not work unless all +/- connections are correct.

For Desk Mounting,  
use additional  
Desk Mount (DESK-SU-5E)

**NOTE: Install in accordance with National and Local Electrical Codes in compliance with AHJ requirements**

**enlighted**  
A Siemens Company

930 Benecia Ave  
Sunnyvale, CA 94085  
www.enlightedinc.com  
855-874-1692

Rev # 93-02804-04