

UL924 Listed Emergency Lighting Bypass / Shunt RIB® Relays

Description

Our UL924 Listed RIB® relays are suitable for shunting around wall switches, lighting panels, and controllers, which turn on emergency lighting in the event of the loss of normal utility power. Emergency power is supplied by either a generator or inverter system switched by an automatic transfer switch. This is typically done close to the emergency power source.

Our UL924 Listed RIB® relays can be ordered with various configurations of LED indicators, which are used for initial wiring verification and field inspection. Many models allow for remote testing, giving your inspector access during scheduled inspections. Some models are available with a dimming override, enabling full brightness when emergency power is present. Other models can be used when the designated emergency light is needed for normal lighting, both controlled by a single switch.

Operation

When normal power is present, the relay coil is activated, and the emergency panel is fed from normal power. The lighting load can be switched on or off using an individual wall switch. When normal power drops out, the relay coil is deactivated, and N/C contact closes, creating the pathway for the emergency backup power to flow. The automatic transfer switch changes over to backup (generator) power, and the lighting load is illuminated regardless of the position of the wall switch or controller scheme.

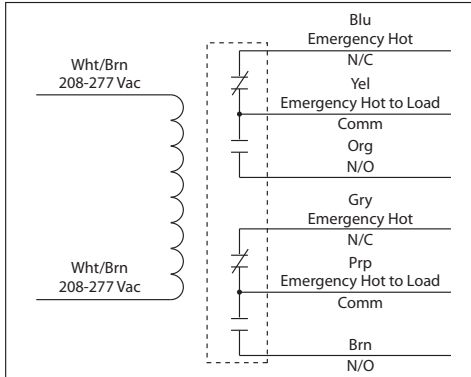
Features

- Multi-coil voltage input
- 10 and 20 Amp contact ratings
- 16 Amp electronic ballast rating (specific models)
- 0-10 Vdc dimmer override
- Remote test capability
- NEMA 1 enclosure with bright yellow color for easy identification
- Pre-wired and prepackaged for convenience
- LED indicator of utility and emergency voltage
- Nipple mount, wall mount, or ballast channel mount
- UL 924 Listed & California State Fire Marshall
- DPDT configurations available
- 5-year warranty
- Made in the U.S.A.



ESR02P

Enclosed Relay 20 Amp DPDT with 208-277 Vac Coil



UL924 / 20 AMP EMERGENCY BYPASS / SHUNT RELAY



Not rated for use as a
UL1008 Transfer Device

Specifications

Relays & Contact Type: One (1) DPDT Continuous Duty Coil
Expected Relay Life: 10 million cycles minimum mechanical
Operating Temperature: -30 to 140° F
Operate Time: 18mS
Relay Status: LED On = Activated
Dimensions: 4.00" x 4.00" x 1.80" with .50" NPT Nipple
Wires: 16", 600V Rated
Approvals: UL Listed, UL924, C-UL
Housing Rating: UL Accepted for Use in Plenum, NEMA 1
Gold Flash: Yes
Override (Test Switch): No

Contact Ratings:
 20 Amp Resistive @ 300 Vac
 20 Amp Resistive @ 28 Vdc
 20 Amp Ballast @ 277-480 Vac
Not rated for Electronic Ballast
 15 Amp Resistive @ 600 Vac
 770 VA Pilot Duty @ 120 Vac
 1158 VA Pilot Duty @ 240 Vac
 1109 VA Pilot Duty @ 277 Vac
 1640 VA Pilot Duty @ 480 Vac
 3 HP @ 480-600 Vac
 2 HP @ 240-277 Vac
 1 HP @ 120 Vac

Coil Current:
 105 mA @ 208-277 Vac

Coil Voltage Input:
 208-277 Vac ; 50-60 Hz
 Drop Out = 60 Vac
 Pull In = 160 Vac

Notes:
 • Not rated for use as a UL1008 Transfer Device.

Initial Wiring Verification

1. Turn OFF Normal Power, Transfer Power, and Wall Switch.
2. Wire relay according to wiring diagram.
3. Energize Transfer Power. Emergency Light should illuminate.
4. Energize Normal Power. Emergency Light will turn OFF.
5. Turn ON Emergency Zone Controller. Emergency Light should illuminate.

Field Inspection

1. Ensure Normal Power and Transfer Power are energized.
2. Red LED will be illuminated.
3. Turn OFF Normal Power. Red LED will turn OFF. Emergency Light will illuminate.

Shunt Relay Application

Our Emergency Bypass / Shunt Relays are UL924 listed and suitable for shunting around wall switches in order to turn on emergency lighting in the event of loss of normal utility power.

When Normal Power is present, the ESR relay coil is activated and the emergency panel is fed from Normal Power. The lighting load can be switched on/off using an individual wall switch.

When Normal Power drops out, the ESR coil is deactivated and N/C contact falls closed. The Automatic Transfer Switch changes over to backup (generator) power, and the lighting load is illuminated regardless of the position of the wall switch or controller scheme.

