

LINE DIAGRAM - NIPPLE MOUNT CU-4E-NMx w/SU5 w/ CONTACTOR

NOTES:

1. Follow manufacturer's guidelines for proper contactor wiring
2. Multiple contactors may be controlled by a single CU up to the CU output rating limit.
3. This application provides energy metering across the Blue wire from the Enlighted system

ENLIGHTED CONTROL UNITS

CU-4E-NMI
 CU-4E-NME (Shown)

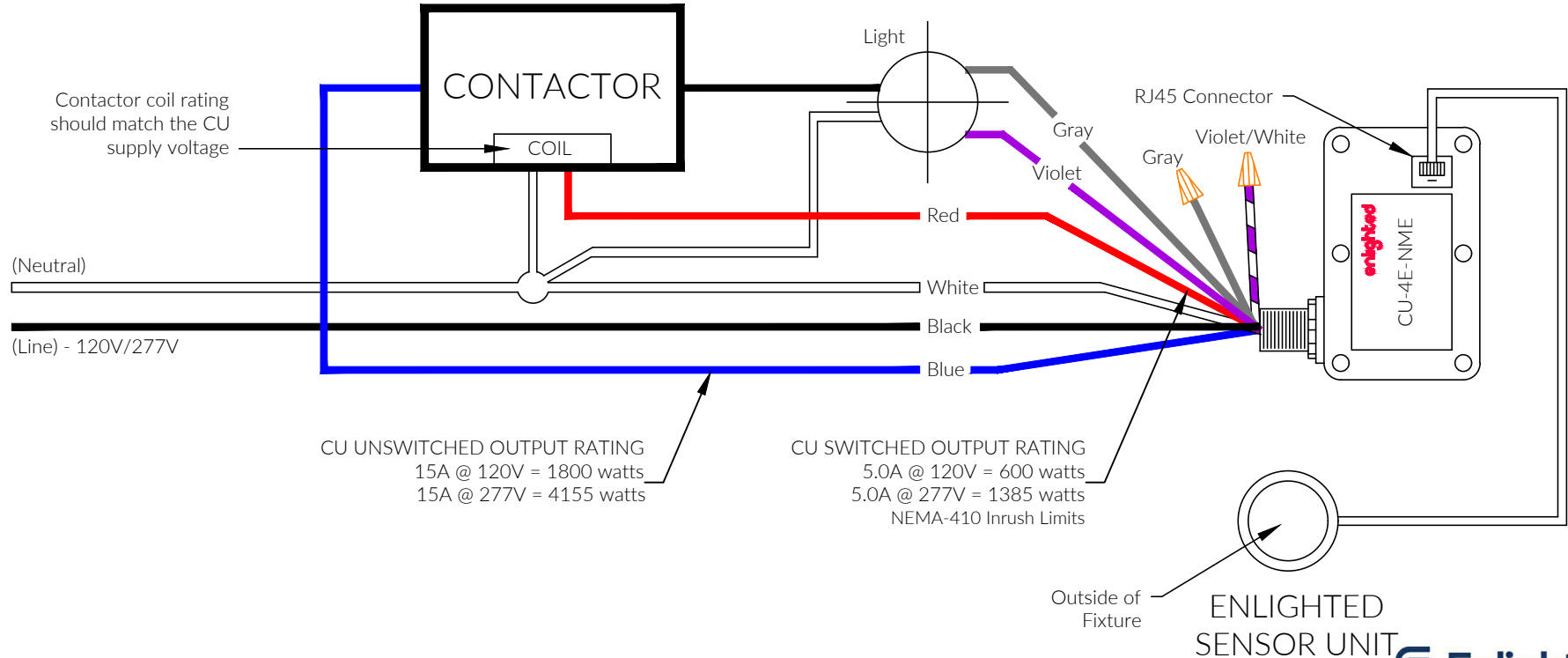
SENSOR

SU-5E
 SU-5E
 SU-5S-H
 SU-5S-LRW
 SU-5S-LRB
 SU-5S-HRW
 SU-5S-HRB

CABLE TYPE

CBL-5E-CU4-12N
 CBL-5E-CU4-30N
 CBL-RJ45-RJ45-7F
 Sensor includes 22" of cable*
 Sensor includes 22" of cable*
 Sensor includes 22" of cable*
 Sensor includes 22" of cable*

*NOTE: If more than 22" is needed add part numbers, CBL-RJ45-RJ45-7F and CPL-RJ45



NOTE:
 Install in accordance with National and Local Electrical Codes in compliance with AHJ requirements.



3979 Freedom Circle, Suite 210
 Santa Clara, CA 95054
 www.enlightedinc.com
 650-964-1094