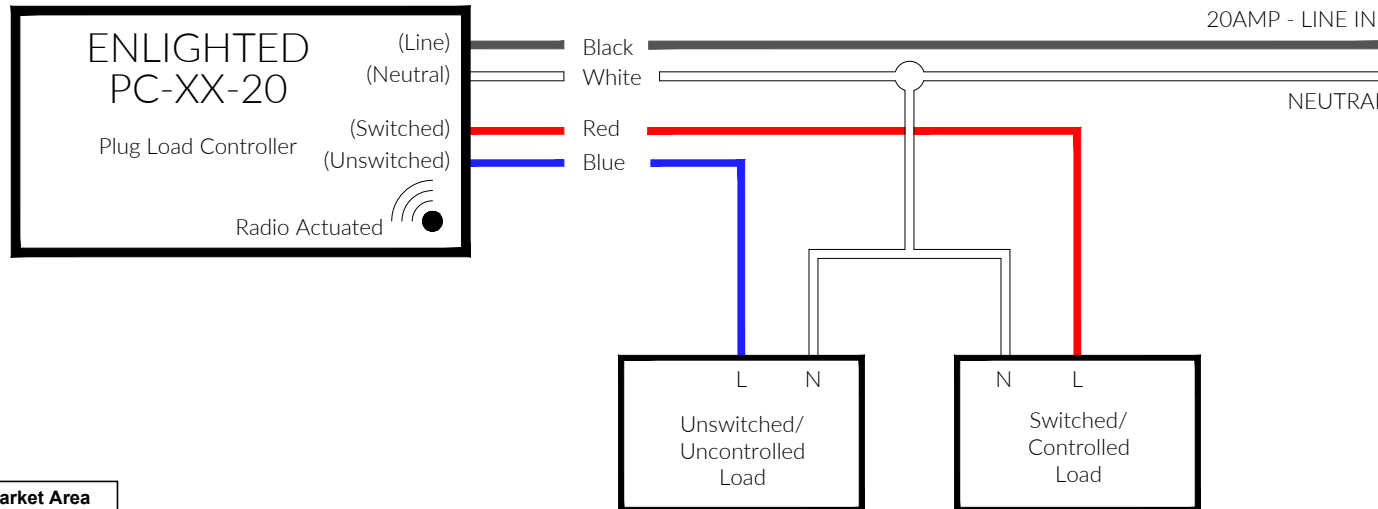


LINE DIAGRAM - ENLIGHTENED PLUG LOAD CONTROLLER / PC-XX-20

1. The application shown below represents using the Plug Load Controller (PLC) to control switched portions of a wall receptacle circuit. The switched portion of these receptacles are controlled by the PLC communicating with the overhead sensors as part of the same Motion Group.
2. Energy usage is metered and reported to the Enlighted Manage software for both the switched and unswitched portions of the PLC.
3. The PLC is also capable of circuit level control of other types of electrical circuits subject to the load limits listed on the Electrical Ratings table shown below. This circuit level control can be accomplished by using occupancy inputs from sensors or by using a Time of Day profile programmed into the PLC.
4. The total combined output Amps of both the switched and unswitched portions of the PLC cannot exceed the output rating of the switched portion of the PLC listed in the Electrical Rating table shown below.
5. The PLC is a wireless device and it can not be installed inside a metal enclosure or underneath a raised floor. The PLC requires wireless communication with the Sensors and Gateway to function. Any metal or concrete structures between the PLC, Sensors and Gateway will negatively impact wireless communication.



Product Code	Market Area
PC-01-20	N. America
PC-02-20	Europe

Supply Leads	Voltage	Maximum	Hz
Line Voltage (Black) and Neutral (White)	120 through 277VAC	20 Amps	50 / 60

OUTPUT (RED OR BLUE LEAD) ELECTRICAL RATINGS BY LOAD TYPE			
Leads	Rating - N. America	Rating - Europe (μ)	Load Type
Red	277 VAC, 20A	250 VAC, 16A CosΘ 0.6	Switched - Inductive, General Use
	277 VAC, 2 HP (10A)	250 VAC, 12A CosΘ 0.5	Switched - Motor
	120 VAC, 1 HP (16A)	120 VAC, 16A CosΘ 0.5	Switched - Motor
	277 VAC, 16A	250 VAC, 16A	Switched - Electronic Ballast (Driver)
Blue	20A	16A	Unswitched

NOTE:
Install in accordance with National and Local Electrical Codes in compliance with AHJ requirements.



3979 Freedom Circle, Suite 210
Santa Clara, CA 95054
www.enlightedinc.com
650-964-1094

REV # 93-02787-02