

UL924 Emergency Lighting Automatic Load Control Relays

Quick Reference Chart

Model #	UL	Coil Voltage			Test Procedures							Ballast Channel Mount	Nipple Mount	Notes	Spec Page
		AC/DC	AC	Contacts	Resistive	Local Test Button	Self Test	Remote Test	Dimmer Override						
ESRN	•		120-277	SPST	20 A	•	•	•	•			•			4
ESRB	•		120-277	SPST	10 A	•	•	•	•		•				4
ESRTB	•					•									10
ESRBE01C	•		120	SPST	10 A						•				11
ESRBE277C	•		277	SPST	10 A						•				12

UL = UL924; Emergency Lighting

Models ESRN and ESRB

Features

Perfect for emergency lighting automatic load control applications.

- Automatic load control override
- Normal control of emergency lighting
- Coil input range: 120 Vac through 277 Vac
- LED indicators for normal voltage, emergency voltage, and load status
- 10 Amp and 20 Amp SPST magnetic ballast and tungsten ratings
- LED rating - Up to 16 Amp electronic ballast rating
- 0-10 Vdc dimmer override
- Remote control/test capability (model ESRTB)
- Nipple mount, wall mount, or ballast channel mount
- Made in the U.S.A.



Applications

By using our Automatic Load Control Relays, you are able to complete your emergency lighting applications.

- High contact ratings allow for multiple loads on a single relay unit.
- Emergency lighting can be controlled under normal conditions using the switch input.
- Under normal operation, emergency light can be controlled by a controller using the dry contact input.
- The dry contact output can be used to override 0-10 V dimmers to full brightness (or for feedback to controllers, etc.)
- The on-board local test button and LEDs allow for installation to be tested immediately.
- A two second self-test of the unit is performed every time the wall switch input is turned off.
- Remote test capability allows for a button, switch, controller, fire alarm panel, etc. to be conveniently mounted anywhere desired. [Class 2 acceptable] See model ESRTB (remote test button).
- Different housings allow for wall or nipple mount (model ESRN), or ballast channel mount (model ESRB).



Functional Devices, Inc.
101 Commerce Drive
Sharpsville, IN 46068

Toll Free: (800) 888-5538
Office: (765) 883-5538
Fax: (765) 883-7505

Email: sales@functionaldevices.com
Website: www.functionaldevices.com

Input and Output Characteristics

Electrical Specifications (ESRB, ESRN)

Normal Power Supply Voltage	120-277Vac
Normal Power Current Draw	24mA max
Normal Power Operating Frequency	50/60Hz
Emergency Power Supply Voltage	120-277Vac
Emergency Power Current Draw	118mA max
Emergency Power Operating Frequency	50/60Hz
Remote Test Input (Class 2, Dry Contact)	ESRTB or other switching method ^{1,2}
Feedback/Dimmer Contact Switching Capability (Dry Contact Output)	130mA @ 250V max
Relay Contact (ESRN) SPST	20A Magnetic Ballast @ 277V 16A Electronic Ballast @ 277V 10A Tungsten @ 120V
Relay Contact (ESRB) SPST	10A Magnetic Ballast @ 277V 10A Electronic Ballast @ 277V 10A Tungsten @ 120V

- 1:** If not using the ESRTB Remote Test Button (sold separately), switching methods should be rated for at least 24Vdc. External voltage should not be supplied to this input. No specific current rating is required.
- 2:** To maintain Class 2, a maximum of 45 total test inputs (ESRB and/or ESRN) can be wired in parallel per ESRTB.

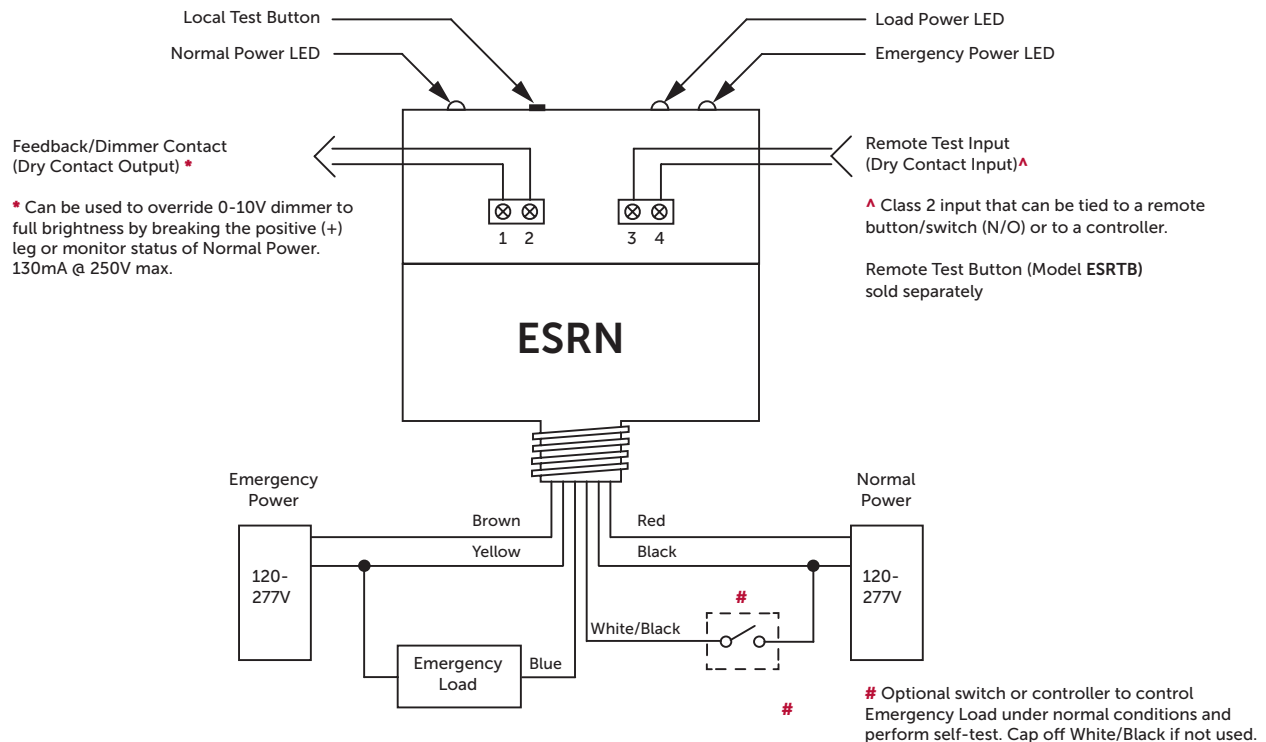
Mechanical Specifications

Housing: UL Accepted for use in Plenum, NEMA 1
Wire: 16" 600V Rated
Weight: 0.675 lbs. (ESRN)
0.430 lbs (ESRB)
Operating Temperature: -30° to 140° F (-35° to 60° C)
Humidity Range: 5 to 95% (noncondensing)
Rated for dry and damp locations only
Approvals: UL Listed, UL924, C-UL

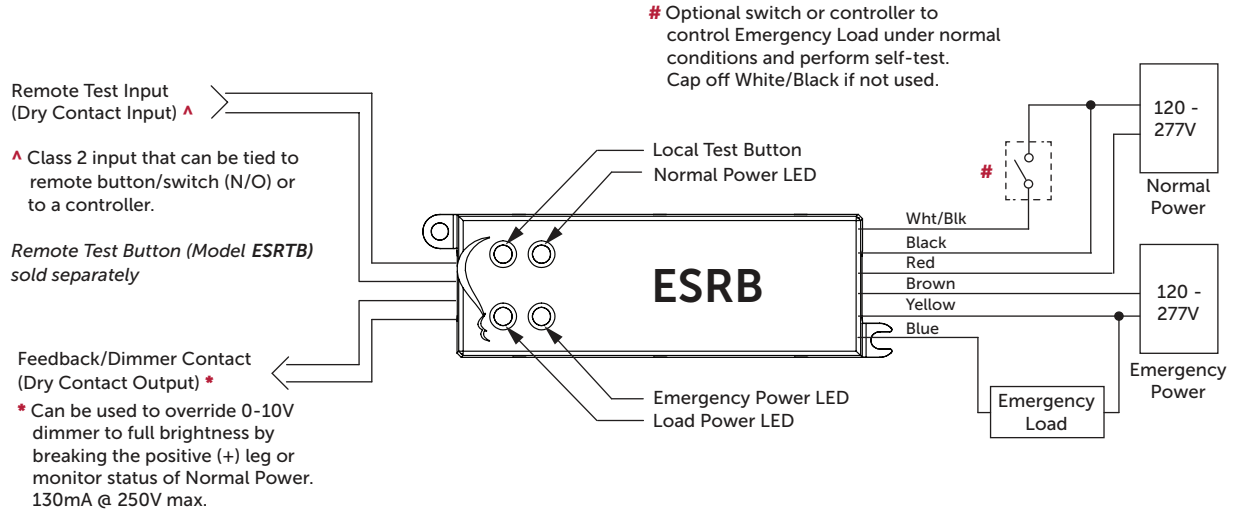
Wiring Information

Wiring Descriptions

Wire Color	Description	Notes
BLACK	Normal Hot	Can be different voltage than Emergency.
WHITE/BLACK	Switch Input (Self-Test Input)	WHITE/BLACK wires must be from same branch circuit as BLACK and RED. When switched off, a two second delay keeps the load on to test emergency power. This does not test feedback/dimmer output.
RED	Normal Neutral or other Phase	Can be different voltage than Emergency.
BROWN	Emergency Hot	—
BLUE	Emergency Hot Switched to Load	Switches out the voltage from BROWN
YELLOW	Emergency Neutral or other Phase	—
WHITE/BLUE (ESRB) Terminal Screw 4 (ESRN)	Remote Test Input (Class 2, Dry Contact Input)	When wiring multiple units together, WHITE/BLUE or Terminal Screw 4 must be a shared common. Test is performed when Input is CLOSED.
WHITE/RED (ESRB) Terminal Screw 3 (ESRN)		
VIOLETS (ESRB) Terminal Screws 1, 2 (ESRN)	Feedback/Dimmer Contact (Dry Contact Output) Switch Input does not test this output.	Output is OPEN when normal power is absent or Remote Test Input is CLOSED. Output is CLOSED when normal power is present and Remote Test Input is OPEN.

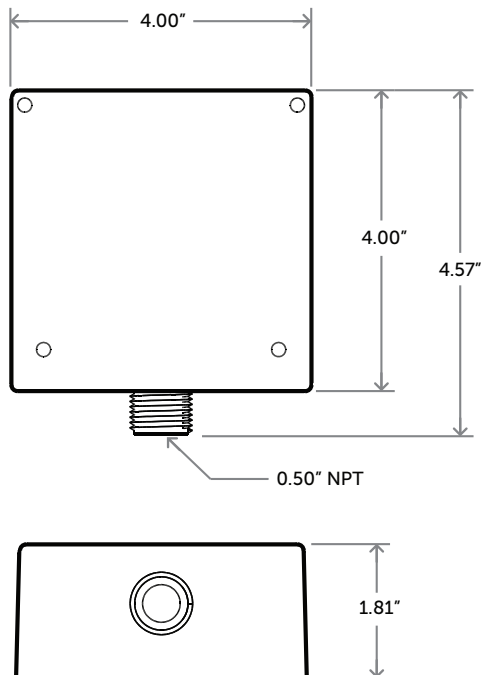


Wiring Descriptions

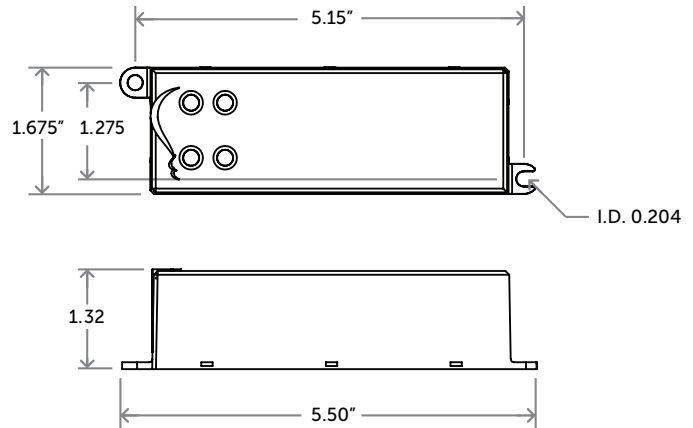


Dimensions

ESRN

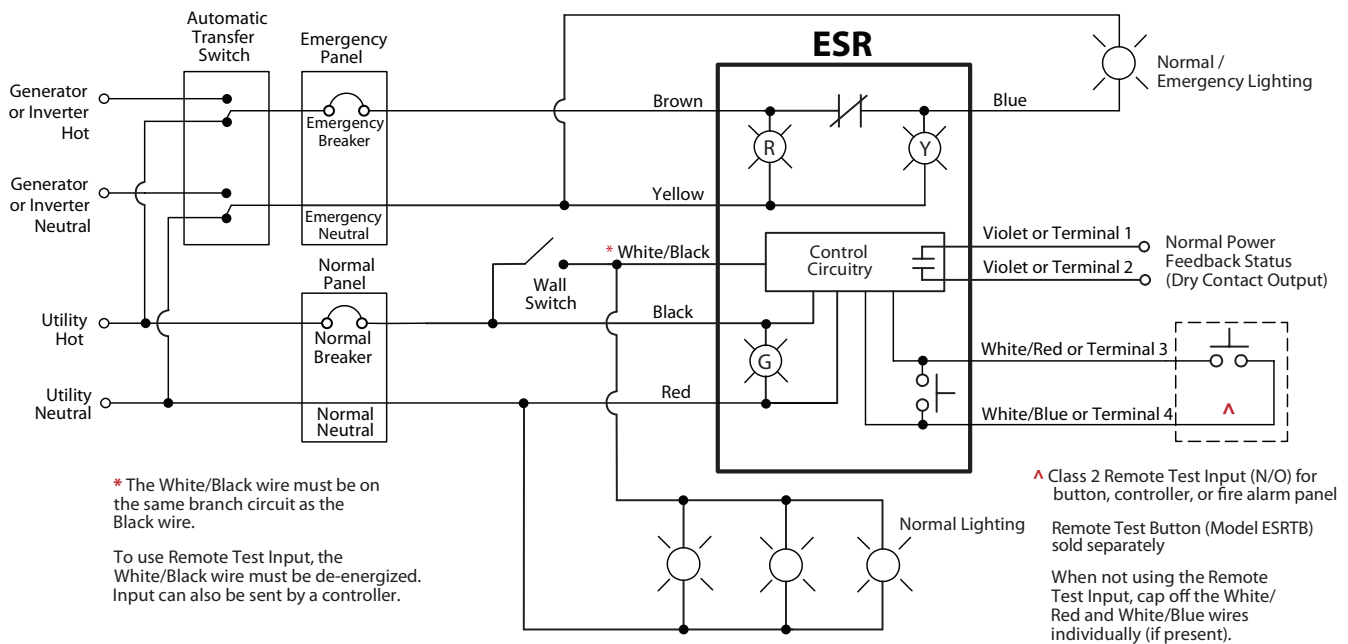


ESRB

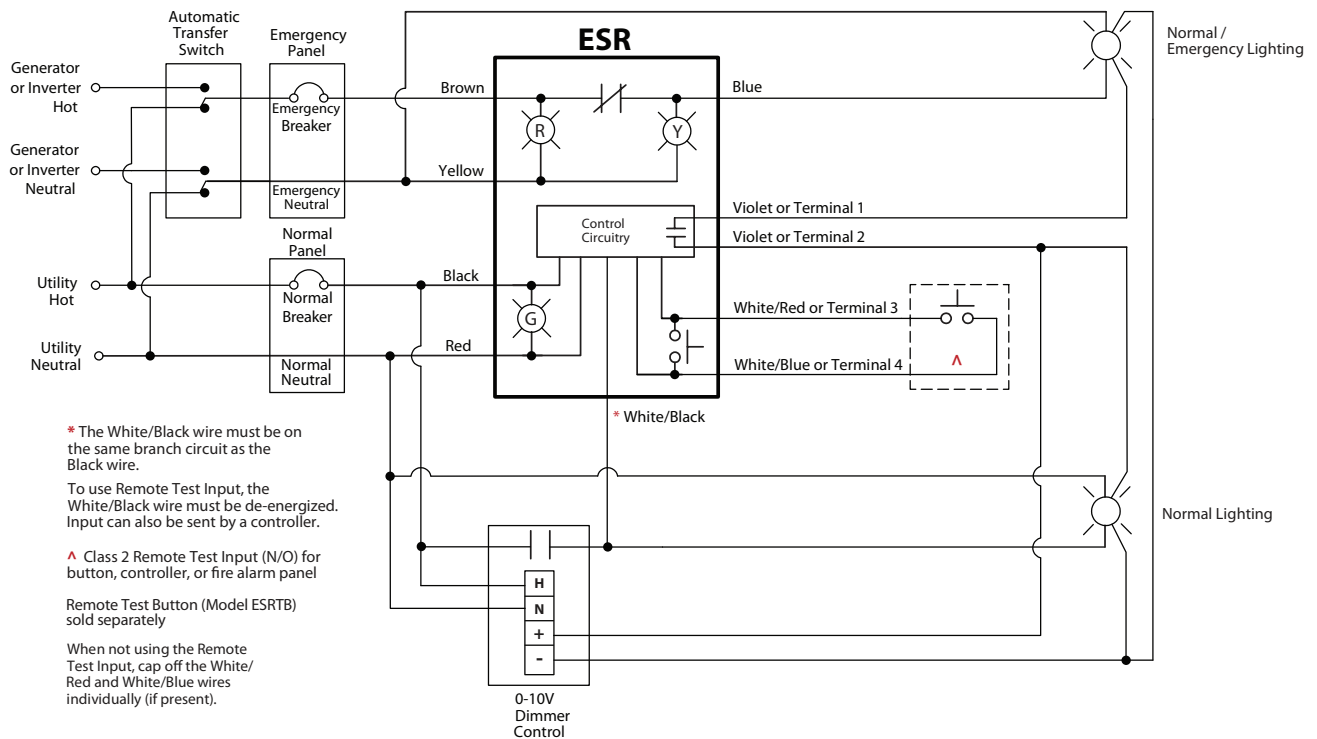


Typical Applications

Using Emergency Lighting as Normal Lighting



Overriding a 0-10Vdc Dimmer





Functional Devices, Inc.
101 Commerce Drive
Sharpsville, IN 46068

Toll Free: (800) 888-5538
Office: (765) 883-5538
Fax: (765) 883-7505

Email: sales@functionaldevices.com
Website: www.functionaldevices.com

Testing and Troubleshooting

Test Procedure: Four Options to Test the ESRB and ESRN After Installation:

Initial Test for Correct Wiring

Apply Emergency Power to the Emergency Power Input and Normal Power to the Normal Power Input. (If using the Wall Switch Input, apply Normal Power to the switch also, but keep the switch OFF/OPEN.)

- a. The Red LED (Emergency Power available) should be ON.
- b. The Green LED (Normal Power available) should be ON.
- c. The Yellow LED (Load Status) should be OFF.
- d. The Load should be OFF.
- e. The Feedback/Dimmer Contact should be CLOSED.

Local Test Button

1. Turn switched circuit OFF. Emergency light should be OFF.
2. Press and hold "Local Test Button"
3. Emergency light should turn ON.
4. Release "Local Test Button" and emergency light should turn OFF.

Remote Test Button (Model ESRTB - sold separately)

1. Turn switched circuit OFF. Emergency light should be OFF.
2. Press and hold "Remote Test Button"
3. Emergency light should turn ON.
4. Release "Remote Test Button" and emergency light should turn OFF.

Wall Switch or Controller Contact

1. Turn ON switch if not already on.
2. Emergency light should turn ON.
3. Turn wall switch OFF.
4. Emergency light will remain on for two seconds before turning OFF.

To test the ESRB and ESRN periodically, repeat the appropriate Test Procedure above in accordance with national and local codes.

Troubleshooting

Condition	Action
Red LED is OFF	<ul style="list-style-type: none"> • Check Emergency Power Input wiring (BROWN and YELLOW wires) and voltage.
Green LED is OFF	<ul style="list-style-type: none"> • Check Normal Power Input wiring (BLACK and RED wires) and voltage.
Yellow LED is ON but Load is OFF	<ul style="list-style-type: none"> • Check Load wiring (BLUE wire and Load's neutral). • Verify Load's operating voltage is the same as the Emergency Power Input Voltage. • Check bulbs and ballast. • Replace unit.
Load is ON but Yellow LED is OFF	<ul style="list-style-type: none"> • Replace unit.
Yellow LED and Load do not turn on when being tested	<ul style="list-style-type: none"> • Check bulbs and ballast. • Check wiring connections if using a remote test option. • Press local test button on the unit. • Replace unit.
Yellow LED and Load will not turn OFF	<ul style="list-style-type: none"> • Verify status of Normal Power Input. • Open Wall Switch Input. • Verify that no test inputs are stuck closed. (i.e. Remote Test Input is not closed).