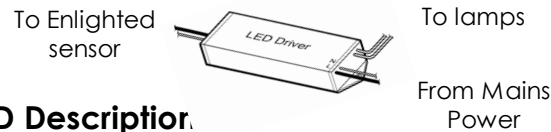


Connecting the Cable to the LED Driver

Step 1: Measure the distance between the sensor's installation location and the LED driver.

Step 2: Cut two lengths of 18 AWG solid wire of the required length. Strip each end of the two wires leaving 3/8 inch of exposed wire.

Step 3: Connect the end of the pair of wires to the LED Driver.



LED Description

LED Status	Description/Solution
LED not on	Power issue or faulty sensor. Check power and wiring
Blinking Green	The commissioned sensor has powered up and has detected motion. If there is no motion in the sensor's field of view, the blinking will stop. Wave your hands below the sensor to restart LED blinking.
Solid Green	The un-commissioned sensor has powered up successfully and passed the wiring test – waiting for discovery.
Blinking Red	The un-commissioned sensor has powered up and detected a wiring test issue. Check the wiring.
Solid Red	Faulty sensor – replace the sensor.
Solid Blue	Sensor received a request to identify itself.
Blinking Blue	The un-commissioned sensor was not able to detect an energy measurement device (Control Unit or Driver).

Model No:

SU-5S-2W-H: High Bay Sensor, 2-wire

Product Code: Product Code: SU-5S-2W-H-xxx/SU-5S-2W-H-xxx-FL

xxx: IoT Node (IoT), Connected Lighting (CL), Independent Lighting/Enlighted One (IL)

FL: Fixtureless

FCC ID: AQQ-SU5S

IC: 10138A-SU5S



Copyright © 2021 Enlighted Inc. All rights reserved.
All other brand or product names are trademarks of their respective companies or organizations.

FCC and Industry Canada Compliance Information

This equipment has been tested and found to comply with the limits for a Class A digital device, pursuant to part 15 of the FCC Rules. These limits are designed to provide reasonable protection against harmful interference when the equipment is operated in a commercial environment. This equipment generates, uses, and can radiate radio frequency energy and, if not installed and used in accordance with the instruction manual, may cause harmful interference to radio communications. Operation of this equipment in a residential area is likely to cause harmful interference in which case the user will be required to correct the interference at his own expense.

This device complies with Part 15 of the FCC Rules and Industry Canada license-exempt RSS standard(s). Operation is subject to the following two conditions:

- this device may not cause harmful interference, AND
- this device must accept any interference received, including interference that may cause undesired operation.

Changes or modifications not expressly approved by Enlighted Inc. could void the user's authority to operate the equipment.

Le présent appareil est conforme aux CNR d'Industrie Canada applicables aux appareils radio exempts de licence. L'exploitation est autorisée aux deux conditions suivantes:

- l'appareil ne doit pas produire de brouillage, ET
- l'utilisateur de l'appareil doit accepter tout brouillage radioélectrique subi, même si le brouillage est susceptible d'en compromettre le fonctionnement

CE

This device complies with the essential requirements and other relevant requirements of the R&TTE Directive (1999/5/EC) and Radio Equipment Directive (RED) 2014/53/EU. The equipment is Class 1 radio equipment which can be placed on the market and be put into service without restrictions in accordance with article 1(3) of Commission Decision 2000/299/EC (Version July 2014).

Wireless protocol: IEEE802.15.4, Radio Freq: 2400 – 2483.5MHz, RF TX output power (max): 4dBm

Wireless protocol: IEEE802.15.1, Radio Freq: 2400 – 2483.5MHz, RF TX output power (max): 4dBm

Company Contact Information

Location: 3979 Freedom Circle, #210, Santa Clara, CA 95054

Phone: +1.650.964.1094

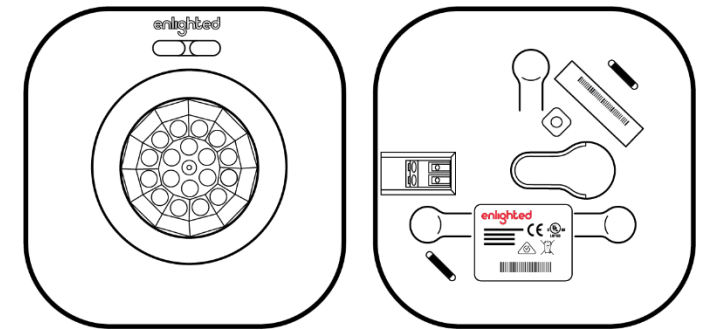
Web: enlightedin.com

DoCs: <https://www.enlightedin.com/eu-docs/>

Support Portal: support.enlightedin.com



High Bay Sensor, 2-wire Install Guide



High Bay Sensor, 2-wire, (Front and Rear)

Shipped Components

- High Bay Sensor, 2-wire, (SU-5S-2W-H), or High Bay Sensor, 2-wire, Fixtureless (SU-5S-2W-H-FL)
- Anchor Screw

Supplemental Components

- Adjustable Mounting Bracket: BRKT-SU

Tools you may Need

- Wire Stripper

Caution

A qualified electrician must perform installation and maintenance under local, state, and national electrical codes (NEC) and requirements.

Installation

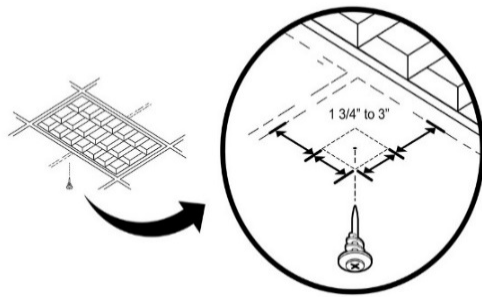
The High Bay sensor, 2-wire, can be mounted to ceiling tiles using an anchor screw or to pendant and industrial fixtures using the adjustable mounting bracket.

Step 1: De-energize the luminaire.

Mounting using an Anchor Screw

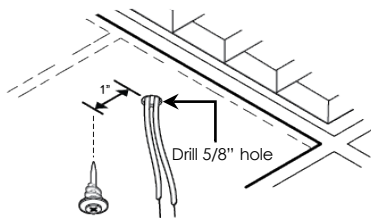
The High Bay sensor, 2-wire, should be mounted to the ceiling tile within a few inches (between 1³/₄" to 3") of the lighting fixture.

Step 1: Determine the location of the sensor. Push and rotate the anchor screw to the tile at that location.

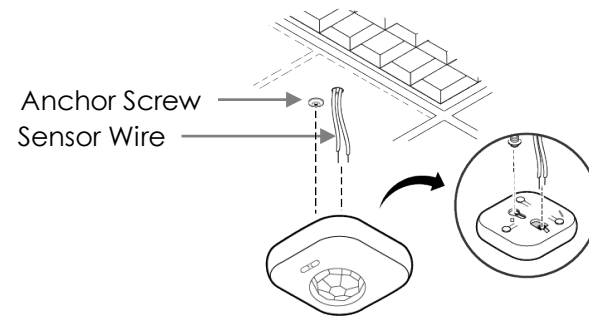


Step 2: See section *Connecting the Sensor Cable to the LED Driver* on Page 5 before proceeding further.

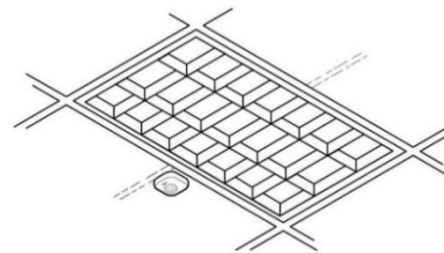
Step 3: Select a place near the anchor screw for the pair of wires from the LED driver to exit. Make a small cut in the ceiling tile for the wire to exit.



Step 4: Connect the other end of the wires to the bottom of the sensor.



Step 5: Align the anchor screw with the slot provided on the sensor bottom. Slide the sensor onto the screw head.



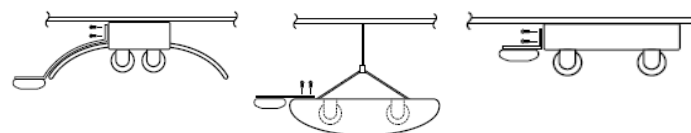
Step 6: Slip the excess sensor wire up into the plenum area and adjust the ceiling tile to the original position.

Step 7: Energize the luminaire and confirm that the green LED is on solid.

Mounting using Adjustable Mounting Bracket

The sensor can be mounted to pendant and industrial fixtures using the mounting bracket.

Step 1: Determine the mounting location of the sensor on the fixture. To ensure that the view of the sensor is not obstructed by the fixture, level the sensor to the bottom of the fixture and provide enough clearance from the fixture. See examples below.

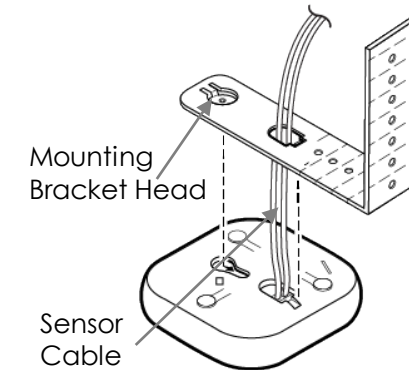


Step 2: Bend the adjustable mounting bracket to the required shape. Fasten the bracket to the fixture using two 8" screws.

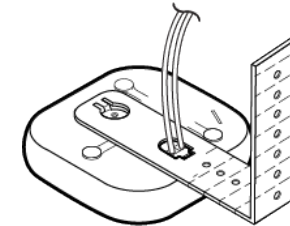


Step 3: See section *Connecting the Sensor Cable to the LED Driver* on Page 5 before proceeding further.

Step 4: Connect the other end of the pair of wires from the LED driver to the bottom of the sensor.



Step 5: Slide the sensor onto the head of the mounting bracket.



Step 6: Secure the sensor cable to the bracket or fixture using cable ties, electrical tape, clips, etc., as appropriate for the installation.

Step 7: Energize the luminaire and confirm that the green LED is on solid.