

## Troubleshooting

Problem	Solution
LEDs do not flash when a button is pressed	The energy in the battery may have drained. Check, and if needed, replace the battery.
Buttons do not easily move when pressed	Return unit for replacement

**Model:** WS-2-00  
**FCC ID:** AQQ-WS-2-00  
**IC:** 10138A-WS200



Copyright © 2022 Enlighted Inc. All rights reserved.  
All other brand or product names are trademarks of their respective companies or organizations.

## Technical Support

For questions regarding the installation or operation of this product, contact Enlighted

**Technical Support:** [support@enlightedinc.com](mailto:support@enlightedinc.com)

## Company Contact Information

**Location:** 3979 Freedom Circle, #210,  
Santa Clara, CA 95054

**Phone:** +1.650.964.1094

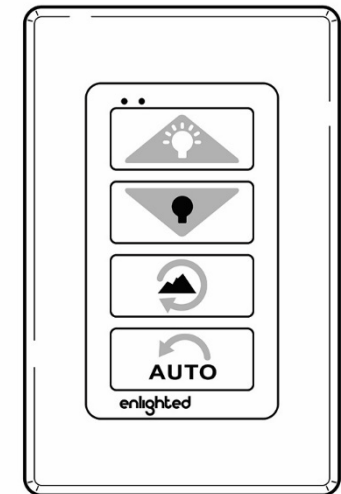
**Web:** [enlightedinc.com](http://enlightedinc.com)

**DoCs:** <https://support.enlightedinc.com/hc/en-us/articles/360048261354-Regulatory-Compliance-Certification>

**Support Portal:** [support.enlightedinc.com](https://support.enlightedinc.com)



## Room Control (ERC) Model WS-2-00 Install Guide



Room Control Switch

## Shipped Components

- Room Control Switch
- Usage card
- Back plate (with captive screws in place)
- Cover plate
- Two tapping screws
- Two #6-32 machine screws

## Tools You May Need

- Phillips screwdriver
- Flat head screwdriver

## Caution

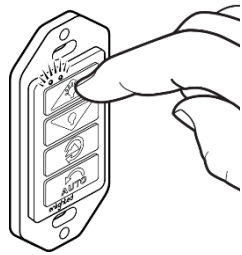
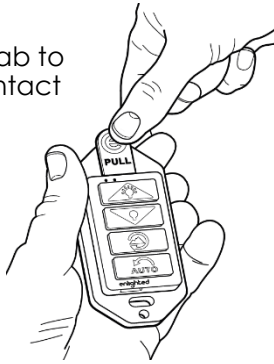
Installation and maintenance must be performed by a qualified electrician in accordance with state, local, and national electrical codes (NEC) and requirements.

## Installation Steps

### Both Wall and Junction Box Mounting

**Step 1:** Separate, if needed, the cover and back plates.

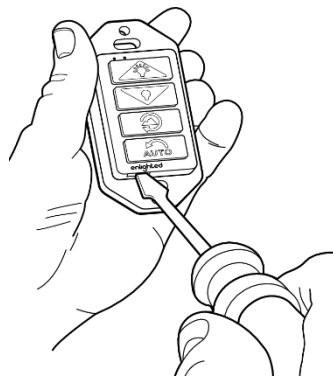
**Step 2:** Remove the plastic pull tab to allow the battery to come in contact with the terminals.



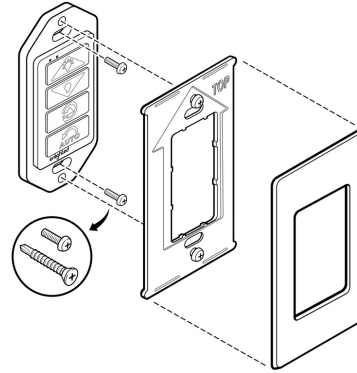
**Step 3:** Press each button and verify that both the green and red LEDs flash and that the button moves smoothly.

**Step 4:** If the LEDs do not flash when a button is pressed, then check, and if needed, replace the battery using a standard CR2032 battery.

The battery is accessed after opening the case.



**Step 5:** Position the switch on either the wall or a junction box with the LEDs on the top and the Enlighted logo on the bottom.

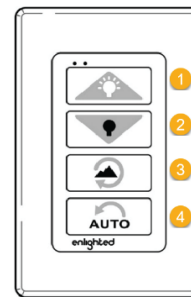


**Step 6:** Use the provided tapping screws (or machine screws for a junction box) to attach the ERC to the wall.

**Step 7:** Align the back plate (with the arrow pointing up) to the ERC. Affix the back plate to the ERC by firmly tightening both captive screws.

**Step 8:** Snap on the cover plate with the arrow (on its back side) pointing up.

## Room Control



- 1 On:** Tap  
Brighten: Press and hold to gradually brighten
- 2 Off:** Tap  
Dim: Press and hold to gradually dim
- 3 Scenes:** Tap for customized room scenes  
Color Temp.: Press & hold to increase color temp.
- 4 Auto:** Tap for profile light levels  
Color Temp.: Press & hold to decrease color temp.

## Room Control Buttons

Hold the combination of buttons for five seconds to start the mode.

- **Buttons 2 & 4:** Maintenance mode: When adding ERCs to Enlighted Manage, hold buttons 2 and 4 from the top for five seconds. The green LED will blink green for five minutes to indicate that the ERC has entered the commissioning state. A key press-and-hold during the green LED blinking aborts the mode.
- **Buttons 1 & 3 & 4:** Decommission: If for any reason you decide to remove the ERC after it is deployed, press buttons 1, 3, and 4 for five seconds to decommission the ERC. The green LED blinks followed by a single red blink to indicate that the ERC is being decommissioned.
- **Buttons 1 & 4:** Reboot (A single red LED blink shows reboot.)

## Room Control LED Status Indicators

Red LED	Green LED	Buttons Pressed	Unit Status
OFF	Single blink	Any button	Commissioned and working.
Single blink	Single blink	Any button	Not commissioned.
OFF	ON – Blink once per second	2 and 4	Commissioning Mode or Image Upgrade for Commissioned ERC.
Single blink	ON – Fast Blink	1, 3, and 4	ERC is being Decommissioned.